



Bedienungsanleitung
Operating Instructions



CAFFEO[®]
BARISTA TS

DEUTSCH

ENGLISH

FRANÇAIS

NEDERLANDS

ITALIANO



Table of contents

1	For your safety	55
1.1	Symbols used	56
1.2	Proper use.....	56
1.3	Danger from electric current	56
1.4	Risk of burns and scalds.....	57
1.5	General safety.....	57
2	Overview of the appliance	58
2.1	The appliance at a glance	58
2.2	The control panel at a glance	60
3	First steps	61
3.1	Unpacking the appliance.....	61
3.2	Checking the delivery contents.....	61
3.3	Installing the appliance	62
3.4	Connecting the appliance	62
3.5	Switching on the appliance for the first time	62
4	Basic operation	63
4.1	Switching the appliance on and off	63
4.2	Using the control panel	64
4.3	Navigating in the menu.....	65
4.4	Filling with coffee beans and using Bean Select	66
4.5	Using ground coffee	68
4.6	Filling with water.....	68
4.7	Adjusting the outlet.....	69
4.8	Using milk.....	70
4.9	Emptying the drip tray and coffee grounds container.....	71
5	Preparing beverages	72
5.1	Preparing Espresso and Café Crème	72
5.2	Preparing Cappuccino	73
5.3	Preparing Latte Macchiato	73
5.4	Preparing milk foam and warm milk.....	74
5.5	Preparing hot water	74
5.6	Preparing beverages with recipes	74
5.7	Changing beverage settings before and during preparation	75
5.8	Stopping beverage preparation.....	77
5.9	Preparing two beverages simultaneously	77
6	Permanently changing beverage settings	77
6.1	Selecting recipes.....	77
6.2	Changing default settings	78

7	Personal settings – "My Coffee"	79
7.1	Editing personal user profiles.....	79
7.2	Selecting/Changing personal settings.....	81
7.3	Preparing beverages with personal settings	82
8	Changing basic settings	83
8.1	Setting the language	83
8.2	Setting the time	83
8.3	Activating/Deactivating Auto Bean Select	84
8.4	Setting Auto OFF.....	84
8.5	Setting energy save mode.....	85
8.6	Setting the brewing temperature.....	86
8.7	Resetting the appliance to the factory settings.....	86
8.8	Displays in the <i>System</i> menu.....	86
8.9	Setting the grinding fineness	87
8.10	Converting the connection for the milk hose	88
9	Care and maintenance	89
9.1	General cleaning.....	89
9.2	Rinsing the coffee system	89
9.3	Cleaning the brewing unit.....	90
9.4	"Easy Cleaning" programme	91
9.5	"Cleaning milk system" programme	91
9.6	"Cleaning coffee system" programme.....	93
9.7	"Descaling" programme	94
9.8	Setting the water hardness	95
9.9	Using a water filter.....	96
10	Problems	98
11	Transport, storage and disposal	99
11.1	Venting the appliance	99
11.2	Transporting the appliance.....	99
11.3	Disposing of the appliance.....	100
12	Technical data	100

Dear Customer,

Thank you for purchasing the CaffèO Barista® fully automatic coffee maker.

The operating instructions will help you discover the diverse options offered by the appliance and enjoy your coffee to the full.

Read through the operating instructions carefully. This helps avoid personal injury and material damage. Store the operating instructions carefully. If you pass on the appliance, include the operating instructions with it.

Melitta accepts no liability for damage caused by failure to observe the operating instructions.

If you require further information or have any questions on the appliance, contact Melitta or visit our website at:
www.melitta.de

We hope you enjoy using your appliance.

1 For your safety

- CE** The appliance conforms to the following European directives:
- 2014/35/EC (low voltage),
 - 2014/30/EC (electromagnetic compatibility),
 - 2011/65/EU (RoHS),
 - 2009/125/EC (eco-design/ErP).

The appliance has been built using the latest technology. Nevertheless, some residual dangers remain.

Observe the safety instructions to avoid danger. Melitta accepts no liability for damage caused by failure to observe the safety instructions.

1.1 Symbols used

The following symbols indicate particular risks in using the appliance or provide useful tips.

CAUTION

The signal word CAUTION indicates possible injuries.

ATTENTION

The signal word ATTENTION indicates possible damage to the appliance.

Information

The signal word "Information" indicates additional notes and tips on using the appliance.

1.2 Proper use

The appliance is used to prepare beverages made from coffee beans or ground coffee, and to heat milk and water.

The appliance is intended for use in private households. Any other use is regarded as improper and may lead to personal injury and material damage. Melitta accepts no liability for damage that arises due to improper use of the appliance.

1.3 Danger from electric current

If the appliance or the power cable is damaged, there is a risk of fatal electric shock.

Observe the following safety instructions to avoid danger from electric current:

- Do not use a damaged power cable.
- A damaged power cable may only be replaced by the manufacturer, its customer service or its service partner.
- Do not open any covers firmly screwed onto the appliance housing.
- Only use the appliance when it is in a technically flawless condition.

- A defective appliance may only be repaired by an authorised workshop. Do not repair the appliance yourself.
- Do not make any changes to the appliance, its components or its accessories.
- Do not immerse the appliance in water.

1.4 Risk of burns and scalds

Escaping fluids and steam can be very hot. Parts of the appliance can also become very hot.

Observe the following safety instructions to avoid scalds and burns:

- Avoid escaping fluids and steam coming into contact with the skin.
- Do not touch any nozzles on the outlet during operation.

1.5 General safety

Observe the following safety instructions to avoid personal injury and material damage:

- Do not reach into the interior of the appliance during operation.
- Keep the appliance and its power cable out of the reach of children under 8 years of age.
- This appliance may be used by children over 8 years of age and by persons with reduced physical, sensory or mental capabilities or a lack of experience and knowledge if they are supervised or have been instructed in using the appliance safely and understand the resulting risks.
- Children must not play with the appliance. Cleaning and maintenance must not be undertaken by children younger than 8 years of age. Children over 8 years of age must be supervised during cleaning and maintenance.
- Disconnect the appliance from the power supply when left unsupervised for a long time.

2 Overview of the appliance

2.1 The appliance at a glance

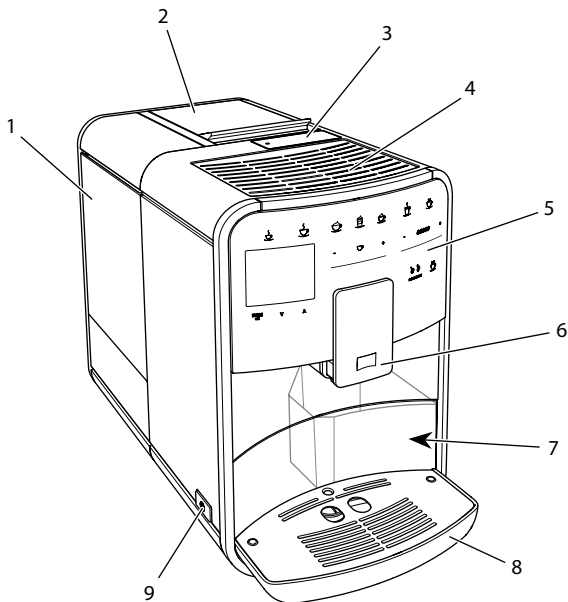


Fig. 1: Front left of the appliance

- 1 Water tank
- 2 2-chamber bean container
- 3 Ground coffee chute
- 4 Cup tray with stainless steel plate (depending on the model)
- 5 Control panel
- 6 Height-adjustable outlet with 2 coffee nozzles, 2 milk nozzles, 1 hot water nozzle, cup illumination
- 7 Coffee grounds container (inner)
- 8 Drip tray
- 9 ON/OFF button

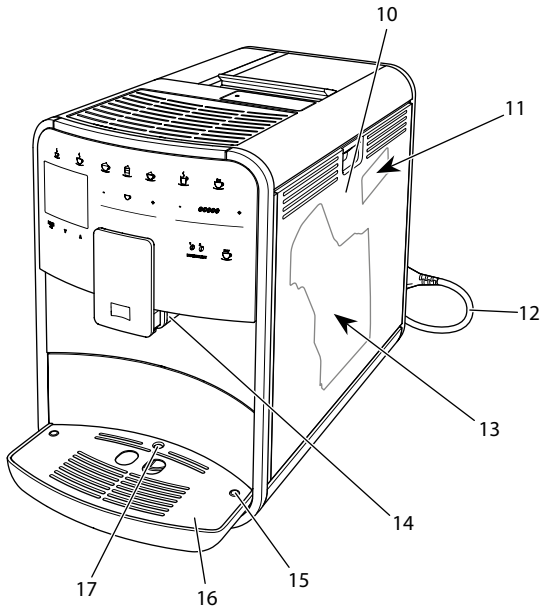


Fig. 2: Front right of the appliance

- 10 Cover
- 11 "Grinding fineness adjustment" lever (behind the cover)
- 12 Power cable with cable insert compartment
- 13 Brewing unit (behind the cover)
- 14 Milk hose connection at the outlet (can be converted to left side)
- 15 Milk hose connection at the drip tray (possible on both sides)
- 16 Cup plate
- 17 Float

2.2 The control panel at a glance

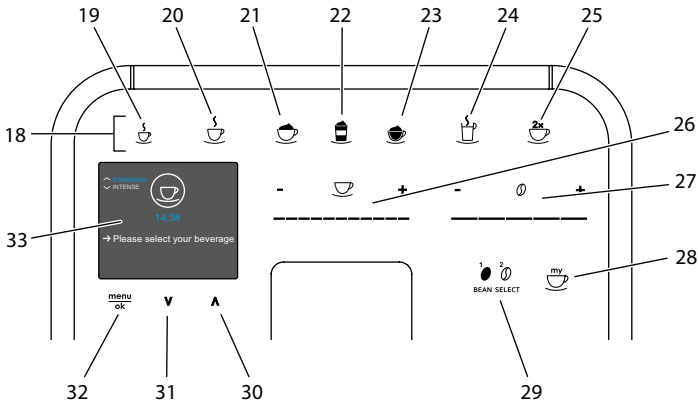


Fig. 3: Control panel

Item	Designation	Function
18	Direct keys	Preparing beverages
19	Espresso	Preparing Espresso
20	Café Crème	Preparing Café Crème
21	Cappuccino	Preparing Cappuccino
22	Latte Macchiato	Preparing Latte Macchiato
23	Milk foam/Warm milk	Preparing milk foam or warm milk
24	Hot water	Preparing hot water
25	2 cups	Two-cup dispensing
26	Beverage amount slider	Setting the beverage amount
27	Coffee strength slider	Setting the coffee strength
28	My Coffee/Recipes	Selecting personal settings for beverages or preparing beverages with recipes
29	BEAN SELECT	Selecting the bean type
30	Up arrow button	Navigate upwards in the menu or set the <i>STANDARD</i> coffee flavour
31	Down arrow button	Navigate downwards in the menu or set the <i>INTENSE</i> coffee flavour
32	menu/ok	Calling up the menu or confirming inputs
33	Display	Display of current menus and messages Example: Ready symbol

3 First steps

This chapter describes how to prepare your appliance for use.

3.1 Unpacking the appliance

⚠ CAUTION

Contact with cleaning agents can lead to eye and skin irritation.

- Keep the supplied cleaning agents out of the reach of children.
- Unpack the appliance. Remove the packaging material, the adhesive strips and the protective films from the appliance.
- Keep the packaging material for transport and possible return shipments.

i Information

The appliance may contain traces of coffee and water. The appliance has been tested in the factory to ensure that it functions perfectly.

3.2 Checking the delivery contents

Check the completeness of the delivery using the following list. If parts are missing, contact your retailer.

- Coffee spoon with screw-in aid for the water filter
- Milk hose
- Plastic milk container or thermal milk container (depending on the model)
- Stainless steel plate for cup tray (depending on the model)
- Cleaning brush
- Coffee system cleaning agent
- Milk system cleaning agent
- Descaling agent
- Water filter
- Test strip for determining the water hardness

3.3 Installing the appliance

Observe the following instructions:

- Do not install the appliance in damp rooms.
- Install the appliance on a stable, flat and dry surface.
- Do not install the appliance in the vicinity of sinks or the like.
- Do not install the appliance on hot surfaces.
- Install the appliance at a sufficient distance (approx. 10 cm) from the wall and other objects. The space above the appliance should be at least 20 cm.
- Route the power cable so it cannot be damaged by edges or hot surfaces.

3.4 Connecting the appliance

Observe the following instructions:

- Check that the supply voltage matches the operating voltage specified in the technical data (see table *Technical data on page 100*).
- Only connect the appliance to a properly installed socket outlet with earthing contact. If in doubt, consult a specialist electrician.
- The socket must have a fuse of at least 10 A.

3.5 Switching on the appliance for the first time

During initial start-up, the language, the time and the water hardness can be set. The settings can be changed at a later point in time (see chapter 8 *Changing basic settings* on page 83 and chapter 9.8 *Setting the water hardness* on page 95).

Use the enclosed test strip to determine the water hardness. Observe the instructions on the test strip packaging and in table *Water hardness range* on page 100.

Information

We recommend pouring away the first two cups of coffee after initial start-up.

Requirement: The appliance has been installed and connected.

1. Place a vessel beneath the outlet.
2. Switch on the appliance with the ON/OFF button.
 - » The welcome display appears on the appliance.
 - » The request to carry out the setup appears on the display: *Please set up the machine.*
 - » The "menu/ok" button flashes.
3. Confirm with "menu/ok".
 - » The *Language* menu appears.
4. Select your language with the arrow buttons. Confirm with "menu/ok".
 - » The *Clock* menu appears.
5. Select the hour and the minutes with the arrow buttons. Confirm each setting with "menu/ok".
 - » The *Water hardness* menu appears.
6. Select the determined water hardness range with the arrow buttons or confirm the default value with "menu/ok".
 - » The request *Please refill and insert water tank* appears.
7. Remove the water tank. Rinse out the water tank with clean water. Fill the water tank with fresh water and insert it.
 - » The appliance heats up and performs automatic rinsing.
 - » The ready symbol and the request *Fill beans* appear on the display
8. Fill coffee beans into the bean container. To do this, read chapter *Filling with coffee beans and using Bean Select* on page 66.

4 Basic operation

This chapter describes basic operating steps for using the appliance on a daily basis.

4.1 Switching the appliance on and off

Before switching on when initially starting up the appliance, read chapter 3.5 *Switching on the appliance for the first time* on page 62.

Information

- When switched on and off, the appliance performs automatic rinsing.
- During rinsing, rinsing water is also conducted into the drip tray.

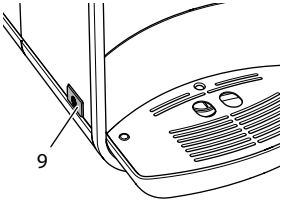


Fig. 4: ON/OFF button



Fig. 5: Welcome display

Switching on the appliance

1. Place a vessel beneath the outlet.
2. Press the ON/OFF button (9).
 - » The welcome display appears on the appliance (see Fig. 5).
 - » The appliance heats up and performs automatic rinsing.
 - » The ready symbol appears on the display.

Switching off the appliance

1. Place a vessel beneath the outlet.
2. Press the ON/OFF button (9).
 - » The appliance performs automatic rinsing.
 - » The appliance switches off.

Information

- The appliance switches off automatically when it is not operated for a long time. Automatic rinsing is also carried out in this case.
- The off time can be set in the *Auto OFF* menu, see chapter 8.4 *Setting Auto OFF* on page 84.
- If no beverage has been prepared since switching on or if the water tank is empty, no rinsing takes place.

4.2 Using the control panel

The essential functions can be accessed using the control panel.

Press the button with a fingertip. The control panel does not react when touched with a pen or other objects.

Only those buttons that can be used in the appliance's current status light up.

Use the following actions to operate the control panel:



Brief press

Briefly press a button to select a function.



Long press

Press a button for longer than 2 seconds to select a second function that may be available.



Press "+" or "-"

Press "+" or "-" to increase or reduce the current value.
Hold a button down to change the value continuously.



Press the slider

Press the slider to select a value.



Pull the slider

Press and pull the slider to increase or reduce the current value.

4.3 Navigating in the menu

To set individual beverages and for maintenance and care, you must call up the menu on the display and navigate in the menu.

Observe the instructions on the display.



Fig. 6: Example: Display with buttons

Use the following options to navigate in the menu:



Calling up the menu and confirming the selection




Press the "menu/ok" button for longer than 2 seconds to call up the menu.

Press the "menu/ok" button briefly to confirm your selection.

Navigating in the menu

  Press the arrow buttons to navigate down or up in the menu. Hold down an arrow button to quickly switch to the menu options.

Exiting a menu

 Select the *Exit* command with the arrow buttons and confirm with "menu/ok" to exit a menu.
Exit submenus that only display information and where no settings are made with "menu/ok".

Calling up submenus

Some of the appliance's functions are reached by calling up several sub-menus in succession.

Submenus are always called up in a similar way. Navigation to the *Descaling* programme is described here as an example.

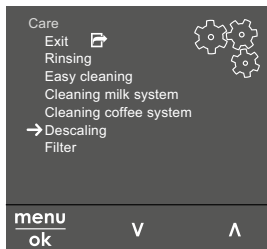


Fig. 7: Navigating to the *Descaling* programme

1. Press the "menu/ok" button for 2 seconds.
 - » The menu appears on the display.
2. Use the arrow buttons to select *Care* and confirm with "menu/ok".
3. Use the arrow buttons to select *Descaling* and confirm with "menu/ok".

The selection of functions is always shown in shortened form in these operating instructions:

- Navigate to the *Care > Descaling* menu.

4.4 Filling with coffee beans and using Bean Select

Roasted coffee beans lose their aroma. Only fill the bean container with as many coffee beans as will be consumed over the next 3–4 days.

ATTENTION**Using unsuitable types of coffee may lead to clogging of the grinder.**

- Do not use freeze-dried or caramelised coffee beans.
- Do not pour ground coffee into the bean container.

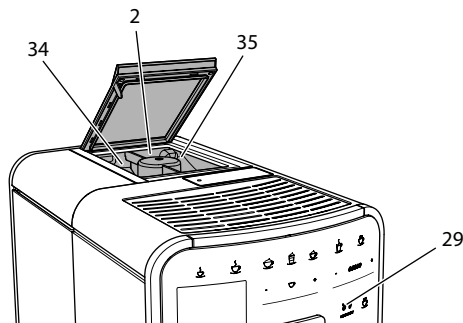


Fig. 8: 2-chamber bean container

The 2-chamber bean container (2) enables the use of two different types of coffee. Auto Bean Select ensures that the best coffee beans are automatically selected for various coffee specialities. Espresso-based beverages take their coffee beans from left bean chamber 1 (34), Café Crème-based beverages take them from right bean chamber 2 (35).

The following table shows the assignment of the bean chambers to the coffee beverages. These settings can be changed (see chapter 6.2 *Changing default settings* on page 78).

Bean chamber	Coffee beverage
1 (34) ☉	Espresso, Cappuccino, Latte Macchiato
2 (35) ☉	Café Crème

1. Open the lid of the 2-chamber bean container (2).
2. Fill Espresso beans into left bean chamber 1 (34) and Café Crème beans into the right bean chamber 2 (35).
3. Close the lid of the 2-chamber bean container.
4. The "BEAN SELECT" button (29) can be used to select a bean type prior to preparation (see chapter on page 75).

Information

- The grinder is emptied during each grinding process. Nevertheless, minimal coffee type mixing may occur.
- Grinding when empty causes a different type of noise and is normal.

4.5 Using ground coffee

Ground coffee may also be used to prepare coffee beverages.

ATTENTION

The use of unsuitable types of coffee can lead to clogging of the brewing unit.

- Do not use any instant products.
- Fill a maximum of one coffee spoon of ground coffee into the ground coffee chute.

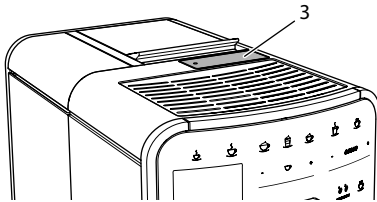


Fig. 9: Ground coffee chute

1. Open the lid of the ground coffee chute (3).
2. Use the enclosed coffee spoon for dosing.
Fill a maximum of one coffee spoon of ground coffee into the ground coffee chute.
3. Close the lid of the ground coffee chute.
4. Proceed as described in chapters 5 to 7.

Information

- Two-cup dispensing is not possible when using ground coffee.
- If no coffee is prepared within 3 minutes of opening the ground coffee chute, the appliance switches to operation with coffee beans and the ground coffee is discharged into the coffee grounds container.

4.6 Filling with water

Only use fresh, cold water without carbon dioxide for optimum coffee enjoyment. Change the water daily.

Information

The quality of the water largely determines the flavour of the coffee. Therefore, use a water filter (see chapter 9.8 *Setting the water hardness* on page 95 and chapter 9.9 *Using a water filter* on page 96).

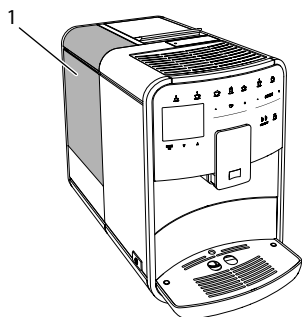


Fig. 10: Water tank

1. Open the lid of the water tank and pull the water tank (1) upwards out of the appliance by the handle.
2. Fill the water tank with water.
Note the maximum capacity of 1.8 litres.
3. Insert the water tank into the appliance from above and close the lid.

4.7 Adjusting the outlet

The outlet (6) is height-adjustable. Set the greatest possible distance between the outlet and the vessel. Depending on the vessel, push the outlet up or down.

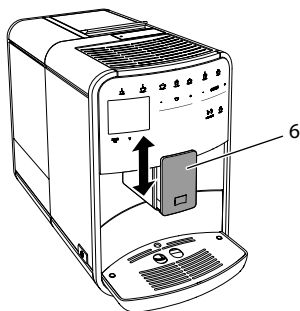


Fig. 11: Height-adjustable outlet

4.8 Using milk

Use cooled milk for optimum coffee enjoyment.

Depending on the model, the enclosed milk container or the milk hose and conventional milk packs can be used.

i Information

The connection for the milk hose is installed on the right of the outlet in the factory. If the connection is required on the left side, read chapter 8.10 *Converting the connection for the milk hose* on page 88.

Connecting the milk container (depending on the model)

Only fill as much milk into the milk container as will be used immediately.

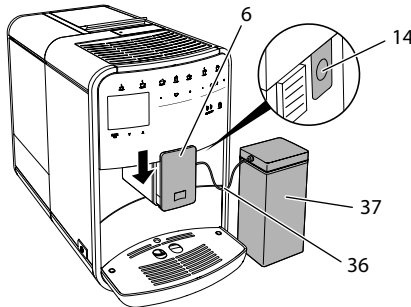


Fig. 12: Connecting the milk container to the appliance (figure can vary)

1. Fill the desired amount of milk into the milk container (37).
2. Push down the outlet (6).
3. Connect the milk hose (36) to the milk container and the connection (14) at the outlet.

i Information

Store the filled milk container in the refrigerator.

Connecting the milk hose (depending on the model)

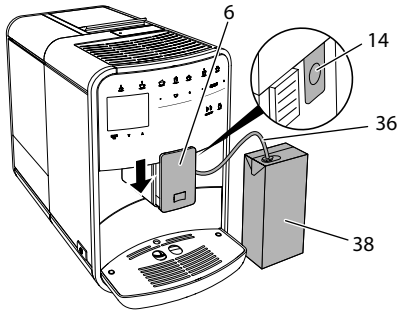


Fig. 13: Connecting the milk hose to the appliance

1. Push down the outlet (6).
2. Connect the milk hose (36) to the connection at the outlet (14).
3. Insert the milk hose into a conventional milk pack (38).

4.9 Emptying the drip tray and coffee grounds container

When the drip tray (8) and the coffee grounds container (7) are full, the appliance requests you to empty them. The projecting float (17) also indicates that the drip tray is full. Always empty both containers.

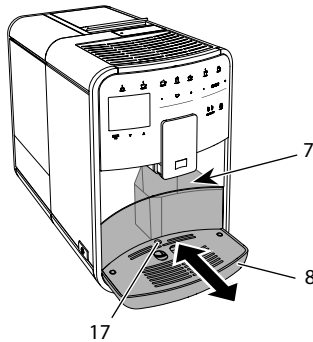


Fig. 14: Drip tray, coffee grounds container and float

1. Pull the drip tray (8) forwards out of the appliance.
2. Remove the coffee grounds container (7) and empty it.
3. Empty the drip tray.
4. Insert the coffee grounds container.
5. Push the drip tray into the appliance up to the stop.

i Information

The appliance requests you to empty the drip tray and the coffee grounds container after a defined number of beverages have been dispensed. If the containers are emptied while the appliance is switched off, it does not register this process. Therefore, it is possible that you are requested to empty the containers although the drip tray and the coffee grounds container are not yet full.

5 Preparing beverages

There are three options for preparing beverages:

- Standard dispensing with direct keys and beverage preparation with recipes as described below
- Preparation with modified beverage settings (see chapter 6 *Permanently changing beverage settings* on page 77)
- Use of personal settings with the "My Coffee" function (see chapter 7 *Personal settings – "My Coffee"* on page 79)

Standard dispensing is described in this chapter.

Note:

- The storage containers should contain sufficient amounts of coffee and water. If the filling level is too low, the appliance requests you to refill it.
- The appliance does not indicate a lack of milk.
- The vessels for the beverages should be sufficiently large (see table *Factory settings* on page 101).

5.1 Preparing Espresso and Café Crème



Requirement: The ready symbol appears on the display.



1. Place a vessel beneath the outlet.
2. Press the "Espresso" or "Café Crème" button.
 - » The grinding process and beverage dispensing start.
 - » Beverage dispensing is ended automatically.
3. Remove the vessel.
 - » The ready symbol appears on the display.

5.2 Preparing Cappuccino



Requirement: The ready symbol appears on the display and milk is connected.

1. Place a vessel beneath the outlet.
 2. Press the "Cappuccino" button.
 - » The grinding process and coffee dispensing start.
 - » Coffee dispensing is ended automatically.
 - » Milk dispensing begins.
 - » Beverage dispensing is ended automatically.
 3. Remove the vessel.
 - » The display shows: *Easy Cleaning? (OK for start)*.
 4. You can execute the Easy Cleaning programme or prepare further beverages.
 - a) Execute the Easy Cleaning programme. To do so, follow the instructions on the display. Information on this is available in chapter 9.4 "*Easy Cleaning*" programme on page 91.
 - b) Prepare further beverages and execute the Easy Cleaning programme later.
- » The ready symbol appears on the display.

5.3 Preparing Latte Macchiato



Requirement: The ready symbol appears on the display and milk is connected.

1. Place a vessel beneath the outlet.
 2. Press the "Latte Macchiato" button.
 - » Milk dispensing begins.
 - » Milk dispensing is ended automatically.
 - » The grinding process and coffee dispensing start.
 - » Beverage dispensing is ended automatically.
 3. Remove the vessel.
 - » The display shows: *Easy Cleaning? (OK for start)*.
 4. You can execute the Easy Cleaning programme or prepare further beverages.
 - a) Execute the Easy Cleaning programme. To do so, follow the instructions on the display. Information on this is available in chapter 9.4 "*Easy Cleaning*" programme on page 91.
 - b) Prepare further beverages and execute the Easy Cleaning programme later.
- » The ready symbol appears on the display.

5.4 Preparing milk foam and warm milk

The preparation of milk foam and warm milk is similar.



Requirement: The ready symbol appears on the display and milk is connected.

1. Place a vessel beneath the outlet.
2. Press the "Milk foam/milk" button.
 - a) Milk foam = briefly press button
 - b) Warm milk = press button for longer (2 seconds)
 - » Milk dispensing begins.
 - » Beverage dispensing is ended automatically.
3. Remove the vessel.
 - » The display shows: *Easy Cleaning? (OK for start)*.
4. You can execute the Easy Cleaning programme or prepare further beverages.
 - a) Execute the Easy Cleaning programme. To do so, follow the instructions on the display. Information on this is available in chapter 9.4 "*Easy Cleaning*" programme on page 91.
 - b) Prepare further beverages and execute the Easy Cleaning programme later.
 - » The ready symbol appears on the display.

5.5 Preparing hot water



Requirement: The ready symbol appears on the display.

1. Place a vessel beneath the outlet.
2. Press the "Hot water" button.
 - » Hot water dispensing begins.
 - » Beverage dispensing is ended automatically.
3. Remove the vessel.
 - » The ready symbol appears on the display.

5.6 Preparing beverages with recipes

The following recipes are available (depending on the model):

Recipes without milk: Espresso, Ristretto, Lungo, Espresso doppio, Ristretto doppio, Café Crème, Café Crème doppio, Americano, Americano extra shot, Long Black, Red Eye, Black Eye, Dead Eye.

Recipes with milk: Cappuccino, Espresso Macchiato, Caffè Latte, Café au Lait, Flat White, Latte Macchiato, Latte Macchiato Extra Shot, Latte Macchiato Triple Shot.

i Information

When selecting a recipe with milk, connect the milk container or a commercially available milk pack (depending on the model).

Direct starting of recipes is similar for all beverages. The selection of a Lungo is described as an example here.

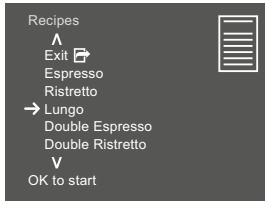


Fig. 15: Direct start for a Lungo



Requirement: The ready symbol appears on the display.

1. Place a vessel beneath the outlet.
2. Press the "My Coffee/Recipes" button until the *Recipes* profile appears and confirm with "menu/ok".
 - » The recipe selection appears on the display.
Alternatively, you can also press the "My Coffee/Recipes" button for 2 seconds to access the recipe selection directly.
3. Use the arrow buttons to select *Lungo* and confirm with "menu/ok".
 - » The grinding process and beverage dispensing start.
 - » Beverage dispensing is ended automatically.
4. Remove the vessel.
 - » The ready symbol appears on the display.

5.7 Changing beverage settings before and during preparation

Beverage settings can be changed before and during beverage preparation.

i Information

These settings only apply to current beverage preparation.

Changing beverage settings before preparation

The bean type, the total beverage quantity, the coffee strength and the coffee flavour can be changed before selecting a beverage.

Information

The coffee flavour is set with the intenseAroma function. *STANDARD* and *INTENSE* are available for selection. In the *INTENSE* setting, the brewing time is longer and the coffee has a more intense flavour.



- Before selecting a beverage, select a bean type with the "BEAN SELECT" button.
- Before selecting a beverage, use the "Beverage amount" slider to set a beverage amount.
- Before selecting a beverage, use the "Coffee strength" slider to set the coffee strength.
- Set the coffee flavour with the arrow buttons.

Information

- When preparing Latte Macchiato and Cappuccino, the total beverage amount is subdivided into a coffee and a milk amount according to a specified ratio.
- If a beverage is not prepared within 1 minute, the appliance switches to the default settings.

Changing beverage settings during preparation

The beverage amount and the coffee strength can be changed during beverage preparation.



- During beverage dispensing (coffee or milk), use the "Beverage amount" slider to set the relevant beverage amount.
- During the grinding process, use the "Coffee strength" slider to set the coffee strength.

5.8 Stopping beverage preparation

To stop beverage preparation prematurely, press the selected direct key again.

5.9 Preparing two beverages simultaneously



The "2 cups" button is used to prepare two beverages simultaneously. Two-cup dispensing is not possible for the beverages Americano, Long Black, hot water, milk and milk foam. For two-cup dispensing, the appliance carries out two grinding processes.

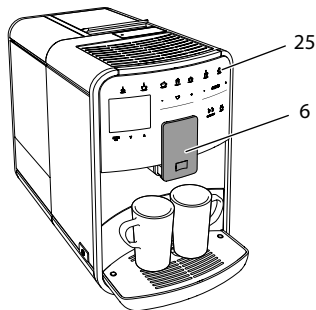


Fig. 16: Two-cup dispensing

1. Place two vessels beneath the outlet (6).
2. Press the "2 cups" button (25).
3. Continue as described for preparation of the relevant beverage.

i Information

- The setting only applies to the next beverage that is prepared.
- If a beverage is not prepared within 1 minute, the appliance switches to single-cup dispensing.

6 Permanently changing beverage settings

The appliance offers further options for preparing coffee specialties. Default recipes can be used or the beverage settings can be permanently changed.

6.1 Selecting recipes

Direct keys can be assigned with stored recipes. Pressing the corresponding direct key now uses the recipe.

The following recipes are available (depending on the model):

- **Espresso:** Espresso (Standard), Ristretto, Lungo, Espresso doppio, Ristretto doppio.
- **Café Crème:** Café Crème (Standard), Café Crème doppio, Americano, Americano extra shot, Long Black, Red Eye, Black Eye, Dead Eye.
- **Cappuccino:** Cappuccino (Standard), Espresso Macchiato, Caffè Latte, Café au Lait, Flat White.
- **Latte Macchiato:** Latte Macchiato (Standard), Latte Macchiato Extra Shot, Latte Macchiato Triple Shot.

Recipe selection is similar for all beverages. The selection of a Ristretto is described as an example here.



Fig. 17: Recipe selection for Ristretto

Requirement: The ready symbol appears on the display.

1. Press the "menu/ok" button for 2 seconds.
 - » The menu appears on the display.
2. Navigate to the *Direct keys* > *Espresso* > *Recipes* menu.
3. Use the arrow buttons to select *Ristretto* and confirm with "menu/ok".
4. Repeatedly select the *Exit* command to exit the menu.
 - » The ready symbol appears on the display.
 - » The next time an Espresso is prepared, the Ristretto recipe will be used.

Information

- The recipe selection remains valid until it is changed again.
- Recipes can also be selected directly with the "My Coffee/Recipes" button (see chapter 5.6 *Preparing beverages with recipes* on page 74).

6.2 Changing default settings

Depending on the beverage, the following default settings can be changed:

- **Coffee amount:** Amount in millilitres
- **Foam amount:** Amount in millilitres
- **Milk amount:** Amount in millilitres

- **Hot water amount:** Amount in millilitres
- **Beans:** Bean chamber 1 or 2
- **Coffee strength:** Very mild, mild, normal, strong, very strong
- **Coffee flavour:** Standard, Intense.

Changing the beverage settings is similar for all beverages. Changing the coffee strength for an Espresso is described here as an example.

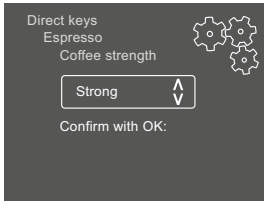


Fig. 18: Setting the coffee strength

Requirement: The ready symbol appears on the display.

1. Press the "menu/ok" button for 2 seconds.
 - » The menu appears on the display.
2. Navigate to the *Direct keys* > *Espresso* > *Coffee strength* menu.
3. Use the arrow buttons to select the desired coffee strength and confirm with "menu/ok".
4. Repeatedly select the *Exit* command to exit the menu.
 - » The ready symbol appears on the display.
 - » The selected coffee strength is used the next time an Espresso is prepared.

i Information

The default settings remain valid until they are changed again.

7 Personal settings – "My Coffee"

The "My Coffee" function lets you to save personal beverage settings and assign them to a user.

7.1 Editing personal user profiles

Up to eight user profiles can be used.

Changing the name of a user profile

The names of the user profiles can be changed.

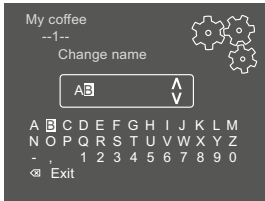


Fig. 19: Changing the name of a user profile

Requirement: The ready symbol appears on the display.

1. Press the "menu/ok" button for 2 seconds.
 - » The menu appears on the display.
2. Navigate to the *My Coffee* menu.
3. Use the arrow buttons to select a user and confirm with "menu/ok".
4. Use the arrow buttons to select *Change name* and confirm with "menu/ok".
 - » The menu for selecting individual characters appears.
5. Use the arrow buttons to select individual characters and confirm each with "menu/ok" (see Fig. 19).
6. Repeatedly select the *Exit* command to exit the menu.
 - » The ready symbol appears on the display.

Activating/Deactivating a user profile

Only users whose profile is activated can be used.

Requirement: The ready symbol appears on the display.

1. Press the "menu/ok" button for 2 seconds.
 - » The menu appears on the display.
2. Navigate to the *My Coffee* menu.
3. Use the arrow buttons to select a user and confirm with "menu/ok".
4. Use the arrow buttons to select *Enabled/disabled* and confirm with "menu/ok".
5. Use the arrow buttons to select *Enabled* or *Disabled* and confirm with "menu/ok".
6. Repeatedly select the *Exit* command to exit the menu.
 - » The ready symbol appears on the display.

7.2 Selecting/Changing personal settings

Depending on the beverage, the following settings can be assigned to a user:

- **Recipes:** Selection of recipes,
- **Coffee amount:** Amount in millilitres
- **Foam amount:** Amount in millilitres
- **Milk amount:** Amount in millilitres
- **Hot water amount:** Amount in millilitres
- **Beans:** Bean chamber 1 or 2
- **Coffee strength:** Very mild, mild, normal, strong, very strong
- **Coffee flavour:** Standard, Intense.

The assignment of personal settings to a user is always similar. Setting the coffee amount for a Cappuccino is described here as an example.

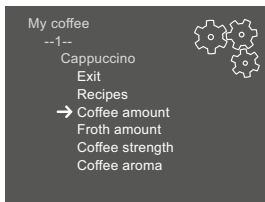


Fig. 20: Changing personal settings

Requirement: The ready symbol appears on the display.

1. Press the "menu/ok" button for 2 seconds.
 - » The menu appears on the display.
2. Navigate to the *My Coffee* menu.
3. Use the arrow buttons to select a user and confirm with "menu/ok".
4. Navigate to the *Cappuccino > Coffee amount* menu.
5. Use the arrow buttons to select an amount and confirm with "menu/ok"
6. Repeatedly select the *Exit* command to exit the menu.
 - » The ready symbol appears on the display.
 - » The next time a Cappuccino is prepared by the user, the selected amount of coffee is used.

7.3 Preparing beverages with personal settings



The preparation of beverages using the "My Coffee" function is similar for all beverages. The preparation of a Cappuccino is described here as an example.

Requirement: The ready symbol appears on the display and milk is connected.

1. Place a vessel beneath the outlet.
2. Press the "My Coffee" button until the desired user is shown on the display.
3. Press the "Cappuccino" button.
 - » The grinding process and coffee dispensing start.
 - » Coffee dispensing is ended automatically.
 - » Milk dispensing begins.
 - » Beverage dispensing is ended automatically.
4. Remove the vessel.
 - » The display shows: *Easy Cleaning? (OK for start)*.
5. You can execute the Easy Cleaning programme or prepare further beverages.
 - a) Execute the Easy Cleaning programme. To do so, follow the instructions on the display. Information on this is available in chapter 9.4 "Easy Cleaning" programme on page 91.
 - b) Prepare further beverages and execute the Easy Cleaning programme later.
 - » The ready symbol appears on the display.

Information

- To exit the "My Coffee" function, press the "My Coffee" button until the ready symbol appears.
- If a beverage is not prepared within 3 minutes, the appliance automatically switches to the ready symbol.

8 Changing basic settings

Operating steps that change the appliance's basic settings are described in the following chapter.

8.1 Setting the language

The display text language can be set.

Requirement: The ready symbol appears on the display.

1. Press the "menu/ok" button for 2 seconds.
 - » The menu appears on the display.
2. Navigate to the *Language* menu.
3. Use the arrow buttons to select a language and confirm with "menu/ok".
4. Exit the menu with the *Exit* command.
 - » The ready symbol appears on the display.

8.2 Setting the time

The time shown on the display can be set.

Requirement: The ready symbol appears on the display.

1. Press the "menu/ok" button for 2 seconds.
 - » The menu appears on the display.
2. Navigate to the *Clock* menu.
3. Use the arrow buttons to select the hours and minutes. Confirm each setting with "menu/ok".
4. Exit the menu with the *Exit* command.
 - » The ready symbol appears on the display.

Information

To prevent the time being shown on the display, set the time to 00:00.

8.3 Activating/Deactivating Auto Bean Select

Automatic selection of a bean type can be activated/deactivated.

Requirement: The ready symbol appears on the display.

1. Press the "menu/ok" button for 2 seconds.
 - » The menu appears on the display.
2. Navigate to the *System > Automatic Bean Select* menu.
3. Use the arrow buttons to select *Enabled* or *Disabled* and confirm with "menu/ok".
4. Repeatedly select the *Exit* command to exit the menu.
 - » The ready symbol appears on the display.

8.4 Setting Auto OFF

If the appliance is not operated for a long time, it switches off automatically after a specified time. Set the duration until the appliance switches off in the *Auto OFF* menu. A specific point in time can also be defined.

Information

If the duration and point in time are activated simultaneously, the appliance switches off after the event that occurs first.

Setting the duration for Auto OFF

Requirement: The ready symbol appears on the display.

1. Press the "menu/ok" button for 2 seconds.
 - » The menu appears on the display.
2. Navigate to the *Auto OFF > OFF after...* menu.
3. Use the arrow buttons to select a time and confirm with "menu/ok".
4. Repeatedly select the *Exit* command to exit the menu.
 - » The ready symbol appears on the display.

Information

Auto OFF cannot be deactivated completely. After 8 hours without being operated at the latest, the appliance switches off.

Setting the point in time for Auto OFF

The OFF time point is deactivated as default in the factory.

Requirement: The ready symbol appears on the display.

1. Press the "menu/ok" button for 2 seconds.
 - » The menu appears on the display.
2. Navigate to the *Auto OFF > OFF at...* menu.
3. Use the arrow buttons to select the hours and minutes. Confirm each setting with "menu/ok"
4. Repeatedly select the *Exit* command to exit the menu.
 - » The ready symbol appears on the display.

Information

To deactivate Auto OFF, set the OFF time point to 00:00.

8.5 Setting energy save mode

Energy save mode lowers the heating temperature and switches off the illumination on the control panel. The "menu/ok" button remains lit.

If the appliance is not operated for a long time, it automatically switches to energy save mode after a specified time. The period of time until energy save mode is activated is set in the *Energy save mode* menu.

Requirement: The ready symbol appears on the display.

1. Press the "menu/ok" button for 2 seconds.
 - » The menu appears on the display.
2. Navigate to the *Energy save mode* menu.
3. Use the arrow buttons to select a period of time and confirm with "menu/ok".
4. Exit the menu with the *Exit* command.
 - » The ready symbol appears on the display.

Information

- Energy save mode is ended by pressing the "menu/ok" button.
- Energy save mode cannot be deactivated completely. After 4 hours without being operated at the latest, the appliance switches to energy save mode.

8.6 Setting the brewing temperature

The brewing temperature influences the flavour of the coffee. The *Low*, *Normal* and *High* settings are available for selection.

The setting applies to all beverages.

Requirement: The ready symbol appears on the display.

1. Press the "menu/ok" button for 2 seconds.
 - » The menu appears on the display.
2. Navigate to the *Temperature* menu.
3. Use the "arrow buttons" to select a brewing temperature, and confirm with "menu/ok".
4. Exit the menu with the *Exit* command.
 - » The ready symbol appears on the display.

8.7 Resetting the appliance to the factory settings

The appliance can be reset to the factory settings.

Information

If the appliance is reset to the factory settings, all personal settings are lost, including the settings in the *My Coffee* menu.

Requirement: The ready symbol appears on the display.

1. Press the "menu/ok" button for 2 seconds.
 - » The menu appears on the display.
2. Navigate to the *System > Factory settings* menu.
3. Use the arrow buttons to select *Reset* and confirm with "menu/ok".
4. Repeatedly select the *Exit* command to exit the menu.
 - » The ready symbol appears on the display.

8.8 Displays in the System menu

The *System* menu provides information on the status of the appliance.

The information can be accessed via the *System > Statistics* menu and the *System > SW version* menu. Press the "menu/ok" button to exit the menus.

The following table provides an overview of the information content.

Menu	Information
<i>Statistics</i>	
<i>Beverages</i>	Number of beverages prepared since starting up.

Menu	Information
<i>Brewing unit cleaning</i>	Number of cleaning processes performed.
<i>Descaling</i>	Number of descaling processes performed.
Progress bars	These show the number of beverages that can still be prepared until the appliance requests you to perform cleaning or descaling.
<i>SW version</i>	
MAIN XXXXXXXXXXXX	Installed software version.

8.9 Setting the grinding fineness

The grinding fineness of the coffee beans influences the flavour of the coffee. The grinding fineness has been optimally set prior to delivery. We recommend adjusting the grinding fineness after around 1,000 beverages have been dispensed (around 1 year) at the earliest.

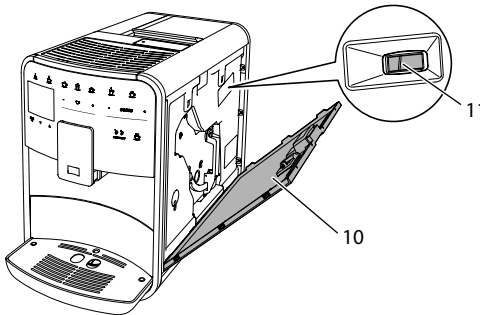


Fig. 21: Setting the grinding fineness

1. Open the cover (10). To do this, reach into the recess on the right of the appliance and pull the cover off upwards.
2. Move the lever (11) forwards or backwards.
 - Backwards = grinding fineness coarser
 - Forwards = grinding fineness finer
3. Close the cover. To do this, insert the bottom of the cover into the appliance and swing it up until it engages.

i Information

- If you set the grinding fineness finer, the coffee flavour is stronger.
- The grinding fineness is optimally set when the coffee flows evenly out of the outlet and a fine, dense crema appears.

8.10 Converting the connection for the milk hose

The milk hose can be connected on the left or right side of the outlet.

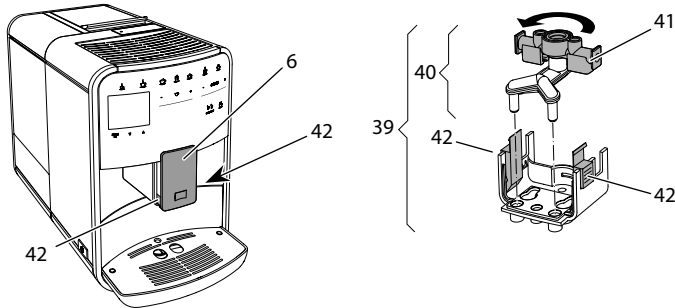


Fig. 22: Turning the inlet

Proceed as follows to convert the outlet:

1. Pull the milk hose off the appliance.
2. Push the outlet (6) down as far as it will go.
3. Press the locking mechanism (42) of the milk unit (39) together using two fingers of one hand and pull the milk unit downwards off the outlet.
4. Pull the milk distributor (40) upwards out of the milk unit.
5. Turn the inlet (41) by 180°.

Installation is carried out as described in reverse order.

i Information

To install, push the milk unit (39) onto the outlet (6) with both hands. Make sure that the locking mechanism (42) audibly engages on both sides.

9 Care and maintenance

Regular cleaning and maintenance ensure the consistent high quality of your beverages.

9.1 General cleaning

Clean the appliance regularly. Immediately remove external soiling caused by milk and coffee.

ATTENTION

The use of unsuitable cleaning agents can lead to scratched surfaces.

- Do not use any abrasive cloths, sponges or cleaning agents.
-

Requirement: The appliance is switched off.

- Clean the outside of the appliance with a soft, damp cloth and normal washing-up liquid.
- Rinse the drip tray and the coffee grounds container with a soft, damp cloth and normal washing-up liquid.
- Clean the bean container with a soft, dry cloth.

9.2 Rinsing the coffee system

During rinsing, the nozzles at the outlet and the internal parts of the coffee system are rinsed. As a result, rinsing water from the interior enters the drip tray.

When switching on and off, the appliance rinses the coffee system.

Rinsing can also be carried out manually.

Requirement: The ready symbol appears on the display.

1. Place a vessel beneath the outlet.
2. Press the "menu/ok" button for 2 seconds.
 - » The menu appears on the display.
3. Navigate to the *Care > Rinsing* menu.
4. Use the arrow buttons to select *Start* and confirm with "menu/ok".
 - » The coffee system is rinsed.
 - » The ready symbol appears on the display.

9.3 Cleaning the brewing unit

To avoid damage to the appliance, we recommend cleaning the brewing unit once a week.

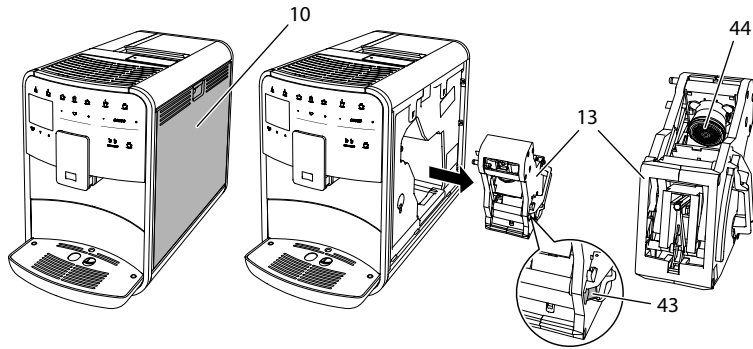


Fig. 23: Removing the brewing unit

Requirement: The appliance is switched off.

1. Open the cover (10). To do this, reach into the recess on the right of the appliance and pull the cover off upwards.
2. Press and hold the red lever (43) on the brewing unit handle (13) and turn the handle clockwise until it engages at the stop.
3. Pull the brewing unit out of the appliance by the handle.
4. Rinse the entire brewing unit thoroughly from all sides under running water. Make particularly sure that coffee residues are removed from the sieve (44).
5. Allow the brewing unit to drip dry.
6. Use a soft, dry cloth to remove coffee residues from the surfaces inside the appliance.
7. Insert the brewing unit in the appliance. Press and hold the red lever on the handle of the brewing unit and turn the handle anticlockwise until it engages at the stop.
8. Close the cover. To do this, insert the bottom of the cover into the appliance and swing it up until it engages.

9.4 "Easy Cleaning" programme

The milk system is rinsed using the "Easy Cleaning" programme.

Each time after preparing a beverage with milk, the appliance requests you to execute the "Easy Cleaning" programme.

The "Easy Cleaning" programme can also be run manually.

Requirement: The ready symbol appears on the display.

1. Place a vessel beneath the outlet.
2. Press the "menu/ok" button for 2 seconds.
 - » The menu appears on the display.
3. Navigate to the *Care > Easy Cleaning* menu.
4. Use the arrow buttons to select *Start* and confirm with "menu/ok".
5. Follow the further instructions on the display up to the end of the "Easy Cleaning" programme.
 - » The ready symbol appears on the display.

9.5 "Cleaning milk system" programme

This programme is used to clean the milk system with the aid of a milk system cleaning agent.

To maintain hygiene and avoid damage to the appliance, we recommend carrying out the cleaning programme once a week.

The cleaning programme takes approximately 3 minutes and should not be interrupted.

ATTENTION

The use of unsuitable milk system cleaning agents can damage the appliance.

- Only use Melitta® PERFECT CLEAN Espresso Machines milk system cleaning agent.

Requirement: The ready symbol appears on the display.

1. Place a vessel with a capacity of at least 0.7 litres beneath the outlet (e.g. the coffee grounds container).
2. Press the "menu/ok" button for 2 seconds.
 - » The menu appears on the display.
3. Navigate to the *Care > Cleaning milk system* menu.
4. Use the arrow buttons to select *Start* and confirm with "menu/ok".
5. Follow the further instructions on the display up to the end of the intensive cleaning programme.
 - » The ready symbol appears on the display.

Cleaning the milk unit

In addition, we recommend cleaning the milk unit, the milk hose and the milk container regularly (depending on the model).

Information

- The plastic milk container (depending on the model), without lid and riser pipe, is dishwasher-safe.
- The thermal milk container (depending on the model) and its individual parts must not be cleaned in the dishwasher.

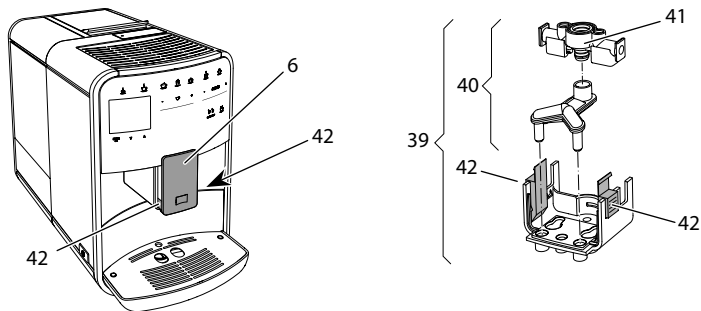


Fig. 24: Removing the milk unit

Proceed as follows to remove the milk unit:

1. Pull the milk hose off the appliance.
2. Push the outlet (6) down as far as it will go.
3. Press the locking mechanism (42) of the milk unit (39) together using two fingers and pull the milk unit downwards off the outlet.
4. Pull the milk distributor (40) upwards out of the milk unit.
5. Pull the inlet (41) out upwards.
6. Clean the individual parts with warm water. Use the enclosed cleaning brush, a soft, damp cloth and normal washing-up liquid.

Installation is carried out as described in reverse order.

Information

To install, push the milk unit (39) onto the outlet (6) using both hands. Make sure that the locking mechanism (42) audibly engages on both sides.

9.6 "Cleaning coffee system" programme

This cleaning programme is used to remove residues and coffee oil residues with the aid of coffee machine cleaning agents.

To avoid damage to the appliance, we recommend carrying out the cleaning programme every 2 months or as requested by the appliance.

Before starting the cleaning programme, clean the brewing unit and the interior (see chapter 9.3 *Cleaning the brewing unit* on page 90).

The cleaning programme takes approximately 15 minutes and should not be interrupted.

CAUTION

Contact with coffee machine cleaning agent may lead to eye and skin irritation.

- Observe the processing instructions on the packaging of the coffee machine cleaning agent.

ATTENTION

The use of unsuitable coffee machine cleaning agents can damage the appliance.

- Only use Melitta® PERFECT CLEAN Espresso Machines cleaning tablets.

Requirement: The ready symbol appears on the display.

1. Press the "menu/ok" button for 2 seconds.
 - » The menu appears on the display.
2. Navigate to the *Care > Coffee system cleaning* menu.
3. Use the arrow buttons to select *Start* and confirm with "menu/ok".
4. Follow the further instructions on the display up to the end of the cleaning programme.
 - » The ready symbol appears on the display.

9.7 "Descaling" programme

The descaling programme is used to remove limescale deposits in the interior of the appliance with coffee machine descaling agents.

To avoid damage to the appliance, we recommend carrying out the descaling programme every 3 months or as requested by the appliance.

The descaling programme takes approximately 25 minutes and should not be interrupted.

⚠ CAUTION

Contact with descaling agent may lead to eye and skin irritation.

- Observe the processing instructions on the packaging of the descaling agent.

ATTENTION

The use of unsuitable descaling agents can damage the appliance.

- Only use Melitta® ANTI CALC Espresso Machines liquid descaling agent.

ATTENTION

A water filter may be damaged if it is screwed in during the descaling programme.

- Remove the water filter when the appliance requests you to do so (see Fig. 25 *Screwing/Unscrewing the water filter* on page 96).
- Place the water filter into a vessel filled with tap water during the descaling programme.
- The water filter can be reinserted and reused when the descaling programme is complete.

Requirement: The ready symbol appears on the display.

1. Press the "menu/ok" button for 2 seconds.
 - » The menu appears on the display.
2. Navigate to the *Care > Descaling* menu.
3. Use the arrow buttons to select *Start* and confirm with "menu/ok".
4. Follow the further instructions on the display up to the end of the descaling programme.
 - » The ready symbol appears on the display.

9.8 Setting the water hardness

The set water hardness influences the frequency of descaling. The harder the water, the more frequently the appliance has to be descaled.

Information

The water hardness cannot be set if you use a water filter (see chapter 9.9 *Using a water filter* on page 96).

Determine the water hardness with the enclosed test strip. Observe the instructions on the test strip packaging and in Table *Water hardness range* on page 100.

Requirement: The ready symbol appears on the display.

1. Press the "menu/ok" button for 2 seconds.
 - » The menu appears on the display.
2. Navigate to the *Water hardness* menu using the arrow buttons.
3. Use the arrow buttons to select the water hardness range and confirm with "menu/ok".
4. Exit the menu with the *Exit* command.
 - » The ready symbol appears on the display.

9.9 Using a water filter

The use of a water filter extends the service life of the appliance and the appliance has to be descaled less frequently. The water filter contained in the scope of delivery filters calcium and other pollutants out of the water.

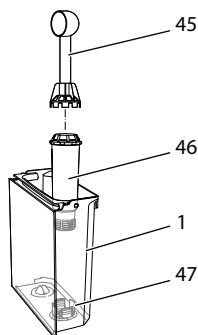


Fig. 25: Screwing/Unscrewing the water filter

The water filter (46) is screwed into and unscrewed from the thread (47) on the base of the water tank (1) using the screwing aid at the end of the enclosed coffee spoon (45).

Inserting the water filter

i Information

Place the water filter into a vessel filled with fresh tap water for a few minutes before inserting it.

Requirement: The ready symbol appears on the display.

1. Press the "menu/ok" button for 2 seconds.
 - » The menu appears on the display.
2. Navigate to the *Care > Filter > Insert filter* menu.
3. Use the arrow buttons to select *Start* and confirm with "menu/ok".
4. Follow the further instructions on the display.
 - » The water hardness is automatically set to *Soft*.
 - » The ready symbol appears on the display.

Changing the water filter

Change the water filter when the appliance requests you to do so.

Requirement: The ready symbol appears on the display.

1. Press the "menu/ok" button for 2 seconds.
 - » The menu appears on the display.
2. Navigate to the *Care > Filter > Change filter* menu.
3. Use the arrow buttons to select *Start* and confirm with "menu/ok".
4. Follow the further instructions on the display.
 - » The ready symbol appears on the display.

Removing the water filter

The water filter should not be left standing dry for a long period of time. When it is not used for a long time, we recommend storing the water filter in a vessel filled with tap water in the refrigerator.

Requirement: The ready symbol appears on the display.

1. Press the "menu/ok" button for 2 seconds.
 - » The menu appears on the display.
2. Navigate to the *Care > Filter > Remove filter* menu.
3. Use the arrow buttons to select *Start* and confirm with "menu/ok".
4. Follow the further instructions on the display.
 - » The water hardness is automatically reset to the previous setting.
 - » The ready symbol appears on the display.

10 Problems

If the actions listed below fail to rectify the problems or other problems not listed here occur, contact our hotline (local rate).

United Kingdom: +44 (0)800/ 0288 002

Problem	Cause	Action
Coffee only emerges from the outlet in drips.	Grinding fineness too fine.	<ul style="list-style-type: none"> Set a coarser grinding fineness (see chapter 8.9 on page 87).
	Appliance soiled.	<ul style="list-style-type: none"> Clean the brewing unit (see chapter 9.3 on page 90). Run the cleaning programme (see chapter 9.6 on page 93).
	Appliance calcified.	<ul style="list-style-type: none"> Descale the appliance (see chapter 9.7 on page 94).
Coffee does not flow.	Water tank not filled or inserted incorrectly.	<ul style="list-style-type: none"> Fill the water tank and ensure it is positioned correctly (see chapter 4.6 on page 68).
	Brewing unit clogged.	<ul style="list-style-type: none"> Clean the brewing unit (see chapter 9.3 on page 90).
<i>Fill beans</i> appears on the display although the bean container is filled.	Beans do not drop into the grinder.	<ul style="list-style-type: none"> Tap lightly on the bean container. Clean the bean container. Coffee beans too oily. Use different coffee beans.
Loud grinder noise.	Foreign object in the grinder.	<ul style="list-style-type: none"> Contact the hotline.
Brewing unit cannot be inserted after removing.	Brewing unit is not locked correctly.	<ul style="list-style-type: none"> Check that the handle for the brewing unit locking mechanism is correctly engaged (see chapter 9.3 on page 90).
	Drive is not in the correct position.	<ul style="list-style-type: none"> Press and hold the "My Coffee" button. Also press the ON/OFF button. The appliance initialises. Release the buttons again.
<i>System error</i> appears on the display.	Software problem.	<ul style="list-style-type: none"> Switch the appliance off and on again (see chapter 4.1 on page 63). Contact the hotline.

11 Transport, storage and disposal

11.1 Venting the appliance

We recommend venting the appliance when it is not used for a long period, prior to transport and when there is a risk of frost.

During venting, residual water is removed from the appliance.

Requirement: The ready symbol appears on the display.

1. Place a vessel beneath the outlet.
2. Press the "menu/ok" button for 2 seconds.
 - » The menu appears on the display.
3. Navigate to the *System > Venting* menu.
4. Select *Start* using the arrow buttons and confirm with "menu/ok".
5. Follow the further instructions on the display.
 - » The appliance switches off.

11.2 Transporting the appliance

ATTENTION

Freezing residual water can damage the appliance.

- Prevent the appliance from being exposed to temperatures below 0 °C.

Information

Transport the appliance in the original packaging. This avoids damage in transit.

Before transporting the appliance, carry out the following activities:

1. Vent the appliance (see chapter 11.1 *Venting the appliance* on page 99).
2. Empty the drip tray and the coffee grounds container.
3. Empty the water tank.
4. Empty the bean container.
5. Clean the appliance (see chapter 9.1 *General cleaning* on page 89).
6. Secure loose parts (cup plate, etc.) with suitable adhesive tape.
7. Package the appliance.

11.3 Disposing of the appliance



Appliances marked with this symbol are subject to the European Directive 2002/96/EC for WEEE (Waste Electrical and Electronic Equipment).

■ Electrical appliances do not belong in domestic waste.

- Dispose of the appliance in an environmentally friendly manner via suitable collection systems.

12 Technical data

Technical data	
Operating voltage	220 V to 240 V, 50 Hz
Power consumption	Max. 1450 W
Pump pressure	Static, max. 15 bar
Dimensions	
Width	255 mm
Height	365 mm
Depth	465 mm
Capacity	
Bean container	2 × 135 g
Water tank	1.8 l
Weight (empty)	10.5 kg
Ambient conditions	
Temperature	10 °C to 32 °C
Relative humidity	30 % to 80 % (non-condensing)

Water hardness range	°d	°e	°f
Soft	0 to 10	0 to 13	0 to 18
Medium	10 to 15	13 to 19	18 to 27
Hard	15 to 20	19 to 25	27 to 36
Very hard	> 20	> 25	> 36

Factory settings		
Espresso	Beverage amount *	40 ml
	Bean type	1
	Coffee strength	Strong
Café Crème	Beverage amount *	120 ml
	Bean type	2
	Coffee strength	Strong
Cappuccino	Beverage amount *	130 ml
	Bean type	1
	Coffee strength	Strong
Latte Macchiato	Beverage amount *	190 ml
	Bean type	1
	Coffee strength	Strong
Milk	Foam amount	120 ml
	Milk amount	120 ml
Hot water	Beverage amount	120 ml

* When dispensing beverages with recipes, the beverage amounts can vary.



Melitta Europa GmbH & Co. KG
Division Household Products
Ringstr. 99
D-32427 Minden
Germany
www.melitta.de

Editorial department:
ZINDEL AG
www.zindel.de